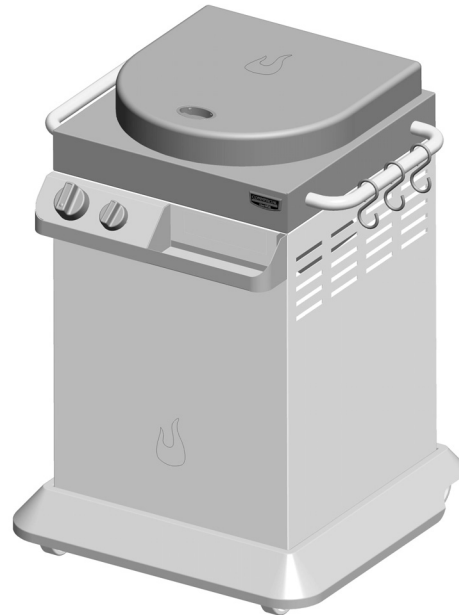


OUTDOOR STOVE TOP



MODEL 05101194



To installer or assembler:
Leave this manual with consumer
for future reference.

To consumer:
Keep this manual for future reference.

FOR OUTDOOR USE ONLY.



DANGER



If you smell gas:

1. Shut off gas to the appliance.
2. Extinguish any open flame.
3. Open lid.
4. If odor continues, keep away from the appliance and immediately call your gas supplier or your fire department.



WARNING



California Proposition 65

Combustion by-products produced when using this product contain chemicals known to the State of California to cause cancer, birth defects, or other reproductive harm.



WARNING



1. Do not store or use gasoline or other flammable liquids or vapors in the vicinity of this or any other appliance.
2. An LP cylinder not connected for use shall not be stored in the vicinity of this or any other appliance.



WARNING



Improper installation, adjustment, alteration, service or maintenance can cause injury or property damage. Read the installation, operating and maintenance instructions thoroughly before installing or servicing this equipment.

If you have any questions or need assistance during assembly, please call 1-800-232-3398.

To insure your satisfaction and for follow-up service, register your product online at www.grillregistration.com

Use and Care

Safety Symbols

The symbols and boxes shown below explain what each heading means. Read and follow all of the messages found throughout the manual.



DANGER: Indicates an imminently hazardous situation which, if not avoided, will result in death or serious injury.



WARNING: Indicates a potentially hazardous situation which, if not avoided, could result in death or serious injury.



CAUTION: Indicates a potentially hazardous situation or unsafe practice which, if not avoided, may result in minor or moderate injury.

Installation Safety Precautions

- Use appliance only with LP (propane) gas and the regulator/valve assembly supplied.
- Appliance installation must conform with local codes, or in their absence with **National Fuel Gas Code, NFPA 54 / ANSI Z223.1**. Handling and storage of LP cylinders must conform to LP Gas Code **NFPA/ANSI 58**. Appliance is not for use in or on recreational vehicles and/or boats.
- All electrical accessories (such as rotisserie) must be electrically grounded in accordance with local codes, or **National Electrical Code, ANSI / NFPA 70**. Keep any electrical cords and/or fuel supply hoses away from any hot surfaces.
- This appliance is safety certified for use in the United States only. Do not modify for use in any other location. Modification will result in a safety hazard.



Some parts may contain sharp edges. Wear protective gloves if necessary.

Char-Broil® Outdoor Stove Top

Thank you for your purchase. The Outdoor Stove Top was designed to take the cooking of many of your favorite foods from your INDOOR stove top TO THE OUTDOORS. The Outdoor Stove Top can use many of your indoor stock pots, griddles, and woks. Also, look for cooking accessories from Char-Broil at the store where you purchased the Outdoor Stove Top.



- **Never use a cooking pot or vessel larger than 12 quarts or 12.5" in diameter.**
- **Read and follow the instructions included with any cooking accessory before using with this appliance.**



NEVER USE THIS APPLIANCE AS A TURKEY FRYER! Use as a turkey fryer may result in a hazardous situation causing property damage, personal injury, or loss of life.

Limited Warranty

The manufacturer warrants the product for replacement or repair of parts and/or workmanship for a period of 90 days. Paint is not warranted and will require touchup.

These limited warranties are made exclusively to the original customer presenting proof of purchase. These warranties are limited to non-commercial residential use only. Any returned goods must be shipped prepaid. These warranties do not cover normal wear and tear or damages resulting from abuse or misuse. This warranty excludes incidental or consequential cost due to damages or losses or property of any nature.

NOTICE: Some states do not allow the exclusion or limitation of incidental or consequential damages or limitations on how long an implied warranty lasts, so the above limitations or exclusions may not apply to you. This warranty gives you specific legal rights and you may also have other legal rights which may vary from state to state.

For further information, contact the manufacturer, toll free at 1-800-232-3398.

Table of Contents

Use and Care	2-10
Safety Symbols	2
Installation Safety Precautions	2
Limited Warranty	2
LP Cylinder Removal, Transport, and Storage	4
LP Cylinder	4
LP (Liquefied Petroleum Gas)	4
LP Cylinder Filling	4
LP Cylinder Exchange	5
LP Cylinder Leak Test	5
Connecting Regulator to the LP Cylinder	5-6
Leak Testing Valve, Hose, and Regulator	6
Safety Tips	6
Ignitor Lighting	7
Match Lighting	7
Burner Flame Check	7
Burner Check	7
Turning Appliance Off	7
Ignitor Check	7
Valve Check	7
Hose Check	7
Natural Hazard • Spiders	8
Care and Cleaning of Stainless Steel	9
Troubleshooting	10
Parts List	11
Parts Diagram	12
Assembly	13-17
Registration Card	19

To insure your satisfaction and for follow-up service,
register your product online at:

www.grillregistration.com



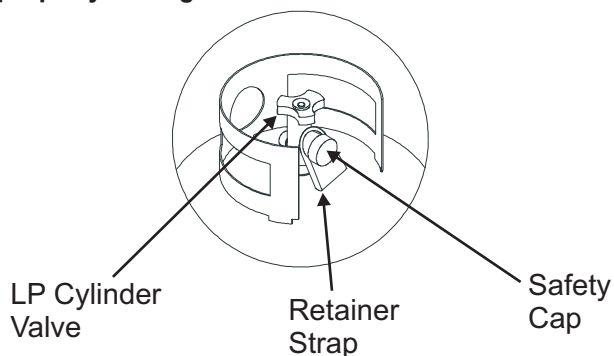
DANGER



- **NEVER** store a spare LP cylinder under or near the appliance or in an enclosed area.
- **Never** fill a cylinder beyond 80% full.
- An over filled or improperly stored cylinder is a hazard due to possible gas release from the safety relief valve. This could cause an intense fire with risk of property damage, serious injury or death.
- If you see, smell or hear gas escaping, immediately get away from the LP cylinder/appliance and call your fire department.

LP Cylinder Removal, Transport and Storage

- Turn OFF control knob and LP cylinder valve. Turn coupling nut counterclockwise by hand only - do not use tools to disconnect. Install safety cap onto LP cylinder valve. Always use cap and strap supplied with valve. **Failure to use safety cap as directed may result in serious personal injury and/or property damage.**

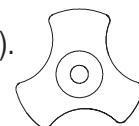


- A disconnected LP cylinder in storage or being transported must have a safety cap installed (as shown). Do not store an LP cylinder in enclosed spaces such as a carport, garage, porch, covered patio or other building. Never leave an LP cylinder inside a vehicle which may become overheated by the sun.
- Do not store LP cylinder in an area where children play.
- Always keep new and exchanged LP cylinders in upright position during use, transit or storage.
- Storage of appliance indoors is permissible only if the cylinder is disconnected and removed from the appliance.

LP Cylinder

- The LP cylinder used with your Outdoor Stove Top must meet the following requirements:

- Purchase LP cylinders only with these required measurements: 12" (30.5cm) (diameter) x 18" (45.7 cm) (tall) with 20 lb. (9 kg.) Capacity maximum.
- Be constructed and marked in accordance with specifications for LP cylinder of the U.S. Department of Transportation (DOT). See LP cylinder collar for marking.
- LP cylinder valve must have:
 - Type 1 outlet compatible with regulator.
 - Safety relief valve.
 - UL listed Overfill Protection Device (OPD). This OPD safety feature is identified by a unique triangular hand wheel. **Use only cylinders equipped with this type of valve.**



- LP cylinder must be arranged for vapor withdrawal and include collar to protect LP cylinder valve.

LP (Liquefied Petroleum Gas)

- LP gas is nontoxic, odorless and colorless when produced. **For your safety**, LP gas has been given an odor (similar to rotten cabbage) so that it can be smelled.
- LP gas is highly flammable and may ignite unexpectedly when mixed with air.

LP Cylinder Filling

- Use only licensed and experienced dealers.
- LP dealer must purge cylinder before filling.
- Dealer should NEVER fill LP cylinder more than 80% of LP cylinder volume. Volume of propane in cylinder will vary by temperature.

- A frosty regulator indicates gas overfill. Immediately close LP cylinder valve and call local LP gas dealer for assistance.
- Do not release liquid propane (LP) gas into the atmosphere. This is a hazardous practice.
- To remove gas from LP cylinder, contact an LP dealer or call a local fire department for assistance. Check the telephone directory under "Gas Companies" for nearest certified LP dealers.

LP Cylinder Exchange

- Many retailers that sell grills offer you the option of replacing your empty LP cylinder through an exchange service. Use only those reputable exchange companies that inspect, precision fill, test and certify their cylinders. **Exchange your cylinder only for an OPD safety feature-equipped cylinder as described in the "LP Cylinder" section of this manual.**

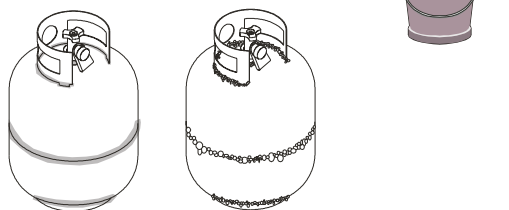
- Always keep new and exchanged LP cylinders in upright position during use, transit or storage.
- **Leak test new and exchanged LP cylinders BEFORE connecting to appliance.**

LP Cylinder Leak Test

For your safety

- Leak test must be repeated each time LP cylinder is exchanged or refilled.
- Do not smoke during leak test.
- Do not use an open flame to check for gas leaks.
- Appliance must be leak checked outdoors in a well ventilated area, away from ignition sources such as gas fired or electrical appliances. During leak test, keep appliance away from open flames or sparks.

Use a clean paint brush and 50/50 soap and water solution. Use mild soap and water. ▲ Do not use Household cleaning agents. Damage to gas train components can result.

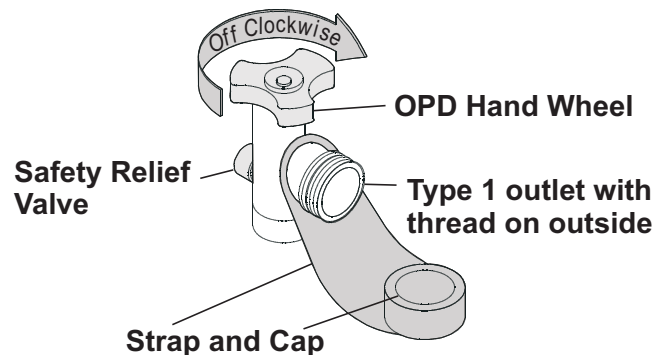


Brush soapy solution onto the shaded areas.

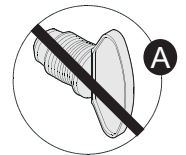
	WARNING	
<p>If "growing" bubbles appear do not use or move the LP cylinder. Contact an LP gas supplier or your fire department!</p>		

Connecting Regulator To The LP Cylinder

1. LP cylinder must be properly secured onto appliance.
2. Turn control knob to OFF position.
3. Turn LP cylinder OFF by turning hand-wheel clockwise to a full stop.
4. Remove protective cap from LP cylinder valve. Always use cap and strap supplied with valve.

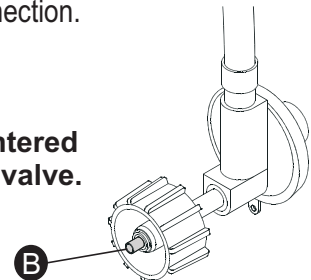


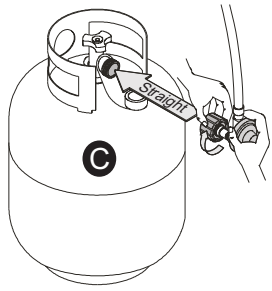
Do not use a POL transport plug (A) (plastic part with external threads)! It will defeat the safety feature of the valve.



5. Hold regulator, insert nipple (B) into LP cylinder valve. Hand tighten coupling nut, holding regulator in a straight line (C) with LP cylinder valve so as not to cross thread the connection.

Nipple has to be centered into the LP cylinder valve.





Hold coupling nut and regulator as shown for proper connection to LP cylinder valve.

- Turn the coupling nut clockwise to tighten to a full solid stop. The regulator will seal on the back-check feature in LP cylinder valve, resulting in some resistance. **An additional one-half to three quarters turn is required to complete connection. Tighten by hand only - do not use tools.**

NOTE:

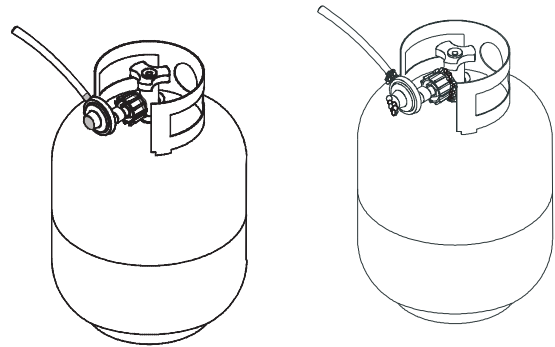
If you cannot complete connection, disconnect regulator and repeat steps 5 and 6. If you are still unable to complete the connection, **do not use this Regulator!**

	WARNING	
<ul style="list-style-type: none"> Do not insert any foreign objects into the valve outlet. You may damage the valve and cause a leak. Leaking propane may result in explosion, fire, severe personal injury or death. Never attempt to attach this appliance to the self-contained LP gas system of a camper trailer or motor home. 		

	WARNING	
<ul style="list-style-type: none"> Do not use appliance until leak checked. If leak is detected at any time, STOP and call your fire department. If you cannot stop a gas leak, <i>immediately</i> close LP cylinder valve and call a LP gas supplier or your fire department! 		

Leak Testing Valve, Hose and Regulator

- Turn control knob to OFF.
- Be sure regulator is tightly connected to LP cylinder.
- Completely open LP cylinder valve by turning hand wheel counter clockwise. If you hear a *rushing sound*, turn gas off immediately. There is a major leak at the connection. **Correct before proceeding.**
- Brush soapy solution on areas where bubbles are shown.



- “If growing” bubbles appear, there is a leak. Close LP cylinder valve immediately and re-tighten connections. **If leaks cannot be stopped “do not try to repair”.** Call for replacement parts. Order new parts by giving the part number from the parts list to the Service Center at 1-800-232-3398.
- Always close LP cylinder valve after performing leak test by turning hand wheel clockwise.

Safety Tips

- ▲ Before opening LP cylinder valve, check the coupling nut for tightness.
- ▲ When appliance is not in use, turn off control knob and LP cylinder valve.
- ▲ Never move appliance while in operation or still hot.
- ▲ The regulator may make a humming or whistling noise during operation. This will not affect safety or use of fireplace.
- ▲ **Check appliance before each use for buildup of any leaves or other material that will burn or block the burner ports. Clean when needed before using. Have appliance inspected annually by a qualified service person.**

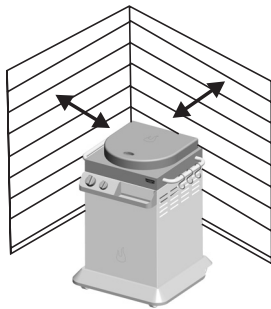


WARNING



For Safe Use of Your Outdoor Stove Top and to Avoid Serious Injury:

- Do not let children operate or play near appliance.
- Keep appliance area clear and free from materials that burn.
- Do not block holes in sides or back of appliance.
- Check burner flames regularly.
- Use appliance only in a well-ventilated space. NEVER use in enclosed space such as carport, garage, porch, covered patio, or under an overhead structure of any kind.
- Do not use charcoal or ceramic briquets in a gas appliance. *(Unless briquets are supplied with your appliance.)*
- **Use appliance at least 3 ft. from any wall or surface.** Maintain 10 ft. clearance to objects that can catch fire or sources of ignition such as pilot lights on water heaters, live electrical appliances, etc..
- **Apartment Dwellers:** Check with management to learn the requirements and fire codes for using an LP gas appliance in your apartment complex. If allowed, use outside on the ground floor with a three (3) foot clearance from walls or rails. Do not use on or under balconies.
- **NEVER attempt to light burner with lid closed. A buildup of non-ignited gas inside a closed appliance is hazardous.**
- **Never operate appliance with LP cylinder out of correct position specified in assembly instructions.**
- **Always close LP cylinder valve and remove coupling nut before moving LP cylinder from specified operation position.**



Ignitor Lighting

1. Open lid during lighting.
2. Press and turn the control knob to the **HI** position.
3. Turn **ROTARY IGNITOR** knob rapidly.
4. If ignition does not occur in 5 seconds, turn the burner control knob **OFF**, wait 5 minutes, and repeat lighting procedure. If ignition still does not occur, follow “**Match Lighting**” instructions.



CAUTION

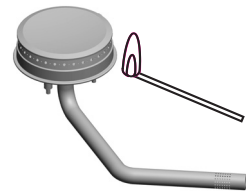


If burner does not light turn knob to OFF, wait 5 minutes, try again. If the burner does not ignite with valve open, gas will continue to flow out of the burner and could accidentally ignite with risk of injury.

Match Lighting

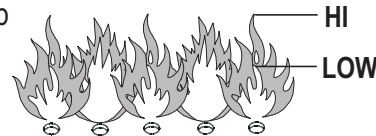
Do not lean over appliance while lighting. Use a large kitchen match or fireplace match to light the appliance.

1. Place a lit match to burner.
2. Press and turn control knob To **HI**.



Burner Flame Check

- Light burner, rotate knob from **HI** to **LOW**. You should see a smaller flame in **LOW** position than seen on **HI**. Always check flame prior to each use.



Burner Check

- Inspect burner prior to each use. If burner is damaged do not use. Call manufacturer at 1-800-232-3398 to obtain a replacement.

Turning Appliance Off

- Turn knob to **OFF** position. Turn LP cylinder **OFF** by turning handwheel clockwise to a full stop.

Ignitor Check

- Turn gas **OFF** at LP cylinder. Turn ignitor knob rapidly. “Click” should be heard and spark seen each time between burner and electrode. See “Troubleshooting” if no click or spark.

Valve Check

- Important: Make sure gas is **OFF** at LP cylinder before checking valves. Knob locks in **OFF** position. To check valve, first push in knob and release, knob should spring back. If knob does not spring back, replace valve assembly before using appliance. Turn knob to **MED** position then turn back to **OFF** position. Valve should turn smoothly.

Hose Check

- Before each use, check to see if hose is cut or worn. Replace damaged hose before using appliance. Use only hose/valve/regulator specified by manufacturer.

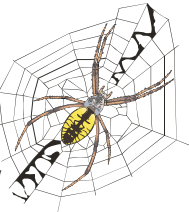


CAUTION

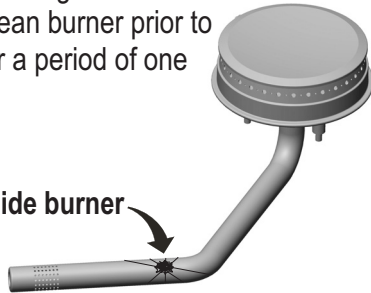


Natural Hazard • Spiders

FACT: Sometimes spiders and other small insects climb into the burner tube. The spiders spin webs, build nests and lay eggs. The webs or nests can be very small, but they are very strong and can block the flow of gas. Clean burner prior to use after storing, or after a period of one Month not being used.



Typical spider webs inside burner



An obstruction can result in a “flashback” (a fire in the burner tube). The appliance may still light, but the obstruction does not allow full gas flow to the burner.

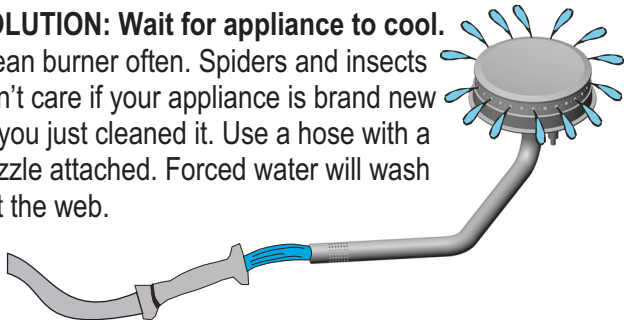
If you experience the following:

1. Smell gas.
2. Burner will not light.
3. Fire coming from around or behind control knob.

STOP! Immediately turn off gas at LP cylinder.

SOLUTION: Wait for appliance to cool.

Clean burner often. Spiders and insects don't care if your appliance is brand new or you just cleaned it. Use a hose with a nozzle attached. Forced water will wash out the web.



General Cleaning

- Do not mistake brown or black accumulation of grease and smoke for paint. Interiors of gas appliances are not painted at the factory (**and should never be painted**). Apply a strong solution of detergent and water or use a grill cleaner with scrub brush on insides of lid and bottom. Rinse and allow to completely air dry. **Do not apply a caustic grill/oven cleaner to painted surfaces.**
- **Plastic parts:** Wash with warm soapy water and wipe dry.
 - ▲ Do not use citrisol, abrasive cleaners, degreasers or a concentrated grill cleaner on plastic parts. Damage to and failure of parts can result.
- **Porcelain surfaces:** Because of glass-like composition, most residue can be wiped away with baking soda/water solution or specially formulated cleaner. Use nonabrasive scouring powder for stubborn stains.
- **Painted surfaces:** Wash with mild detergent or nonabrasive cleaner and warm soapy water. Wipe dry with a soft nonabrasive cloth.
- **Stainless steel surfaces:** To maintain your appliance's high quality appearance, wash with mild detergent and warm soapy water and wipe dry with a soft cloth after each use. Baked-on grease deposits may require the use of an abrasive plastic cleaning pad. Use only in direction of brushed finish to avoid damage. Do not use abrasive pad on areas with graphics.
- **Cooking grate:** Coating the cooking grate with spray-on cooking oil will keep the food from sticking and make clean up easier. After cooking, scrape the grates with a long handled, brass wire bristle brush.



CAUTION



For residential use only. Do not use for commercial cooking.

CARE AND CLEANING OF STAINLESS STEEL

Extreme temperatures from charcoal or wood fires will cause discoloration of stainless steel surfaces. Routine cleaning is necessary to preserve the appearance and corrosion resistance of Stainless Steel. The methods below are suggestions for cleaning stainless steel surfaces. Choose a cleaning method appropriate to the requirement. If you choose to use scouring powder or solvents, consult with the solvent manufacturer or supplier before use.

Before cleaning, first test any cleaning product in an inconspicuous location and consider the possibility of scratching and the potential for corrosion caused by not completely removing cleaners. Never use brushes or steel wool as they will scratch and leave particles embedded on stainless steel surfaces, which can lead to rusting. Always rub or wipe in the direction of the polish lines in the stainless steel surface, not across them. Thorough rinsing with clean water is recommended after all cleaning procedures. Dry all surfaces completely after rinsing. Be careful not to let any stainless steel cleaner come in contact with painted or plastic components as damage may occur.

Routine Care

The Char-Broil® Stainless Steel Grill Cleaner and the Thermos® Stainless Steel Grill Cleaner are good choices for routine cleaning of stainless steel surfaces. Mild stains and loose dirt and soil can also be removed with a soft cloth and clean warm water. Rinse with clean water and wipe dry.

Stubborn Stains

Stubborn stains, discoloration and possibly rust and rust pitting can occur from cooking, exposure to harsh outdoor conditions, or extreme cooking temperatures. There are many cleaning agents commercially available formulated to restore the finish of stainless steel. Obtain advice from the solvent manufacturer or supplier when choosing the appropriate cleaner for your requirement. These cleaners can be acidic. Care should be taken to avoid contact with eyes or mouth. Be careful not let any powder or solvent come in contact with painted or plastic components as damage may occur.

The chart below has been reproduced with permission from the Specialty Steel Institute of North America. For additional details regarding the care and cleaning of stainless steel, visit their website at www.ssina.com for more information. For the latest new products for the care and cleaning of stainless steel go to www.charbroil.com.

Job	Cleaning Agents*	Comments
Routine Cleaning	Warm Water, Soap, Ammonia, Detergent	Apply with sponge or soft cloth. Can be used on all finishes.
Fingerprints and Smears	3M Stainless Steel Cleaner and Polish, Arcal 20, Lac-O-Nu, Lumin Wash, O'Cedar Cream Polish, Stainless Shine	Provides barrier film to minimize fingerprints. Can be used on all finishes.
Stubborn Stains and Discoloration	3M Stainless Steel Cleaner and Polish, All chem Concentrated Cleaner, Samae, Twinkle, Cameo Copper Cleaner, Grade FFF or Grade F Italian Pumice, Whiting or Talc, Liquid Nu Steel, Copper's or Revere Stainless Steel Cleaner, Household Cleaners, Lumin Cleaner, Zud Restoro, Sta-Clean, Highlite, Allen Polish, Penny-Brite, Copper-Brite	Rub lightly, using dry damp cloth, in the direction of polish lines on the stainless steel.
Grease and Blood Burnt-on or Baked-on Foods	Scotch-Brite Power Pad 2001, Easy-Off, De-Grease-It, 4% to 6% hot solution of such agents as tri-sodium polyphosphate, 5% to 15% caustic soda solution	Excellent removal on acids, all finishes. Particularly useful where rubbing is not practical.
Grease and Oil	Any good commercial detergent or caustic cleanser.	Apply with sponge or soft cloth in direction of polish lines.

*NOTE: Use of proprietary names is intended only to indicate a type of cleaner and does not constitute an endorsement. Omission of any proprietary cleanser does not imply its inadequacy. All products should be used in strict accordance with instructions on package.

Troubleshooting

Problem	Possible Cause	Prevention/Cure
Burner will not light using ignitor.	<ul style="list-style-type: none"> — Electrode and burner are wet. — Electrode is cracked or broken, “sparks at crack”. — Wire is loose or disconnected. — Wire is shorting (sparking) between ignitor and electrode. — Bad ignitor. 	<ul style="list-style-type: none"> — Wipe dry with cloth. — Replace electrode. — Reconnect or replace ignitor wire. — Replace ignitor wire. — Replace ignitor.
Burner will not match-light.	<ul style="list-style-type: none"> — No gas flow. — Coupling nut and regulator not fully connected. — Obstruction of gas flow. — Disengagement of burner to valve. — Is appliance assembled correctly? 	<ul style="list-style-type: none"> — Check to see if LP cylinder is empty. If LP cylinder is not empty, refer to “Sudden drop in gas flow”. — Turn the coupling nut about one-half to three quarters additional turn until solid stop. Tighten by hand only—do not use tools. — Clear burner tube. — Re-engage burner and valve. — Check assembly instruction steps.
Sudden drop in gas flow or low flame.	<ul style="list-style-type: none"> — Out of gas. — Excess flow valve tripped. 	<ul style="list-style-type: none"> — Check for gas in LP cylinder. — Turn off knob, wait 30 seconds and light appliance. If flames are still low, turn off knob and LP cylinder valve. Disconnect regulator. Reconnect regulator and leak check. Turn on LP cylinder valve, wait 30 seconds and then light appliance.
Flames blow out.	<ul style="list-style-type: none"> — High or gusting winds. — Low on LP gas — Excess flow valve tripped. 	<ul style="list-style-type: none"> — Increase flame height. — Refill LP cylinder. — Refer to “Sudden drop in gas flow” above.
Flashback... (fire in burner tube).	<ul style="list-style-type: none"> — Burner is blocked. 	<ul style="list-style-type: none"> — Turn knob to OFF and clean burner.
Unable to fill LP cylinder	<ul style="list-style-type: none"> — Some dealers have older fill nozzles with worn threads. 	<ul style="list-style-type: none"> — The worn nozzles don’t have enough “bite” to engage the valve. Try a second LP dealer.

Parts List

Key	Qty.	Description	Part No.
A.	1	Cover Assembly	29100873
B.	1	Cast Iron Grate	29100874
C.	1	Burner Assembly Kit.	55700664
D.	1	Hose/Valve/Regulator Kit.	55700665
E.	1	Ignitor Kit	55700666
F.	1	Towel Bar Kit	55700667
G.	1	Stainless Steel Top Kit.	55700668
H.	1	Heat Shield Kit	55700669
I.	1	Wrap (Body) Kit	55700670
J.	1	Control Panel Kit	55700671
K.	1	Base Kit	55700672
L.	1	Caster Kit (Locking)	55700673
M.	1	Caster Kit (Non-Locking)	55700674
N.	1	Rotary Ignition Knob	29000950
O.	1	Control Knob	29000951
	1	Hardware Bag	42000138
	1	Assembly Instructions	42804116

Tools required for assembly: Phillips screwdriver (not provided) • Adjustable wrench (not provided)
 Estimated assembly time: 30 – 45 minutes

STOP!

Missing a part?

No need to go back to the store!

The store where you made your purchase does not stock parts for this item. If you need parts, whether they are missing or damaged, call the Customer Service toll free Help Line.

Call us and we will gladly ship the part you need

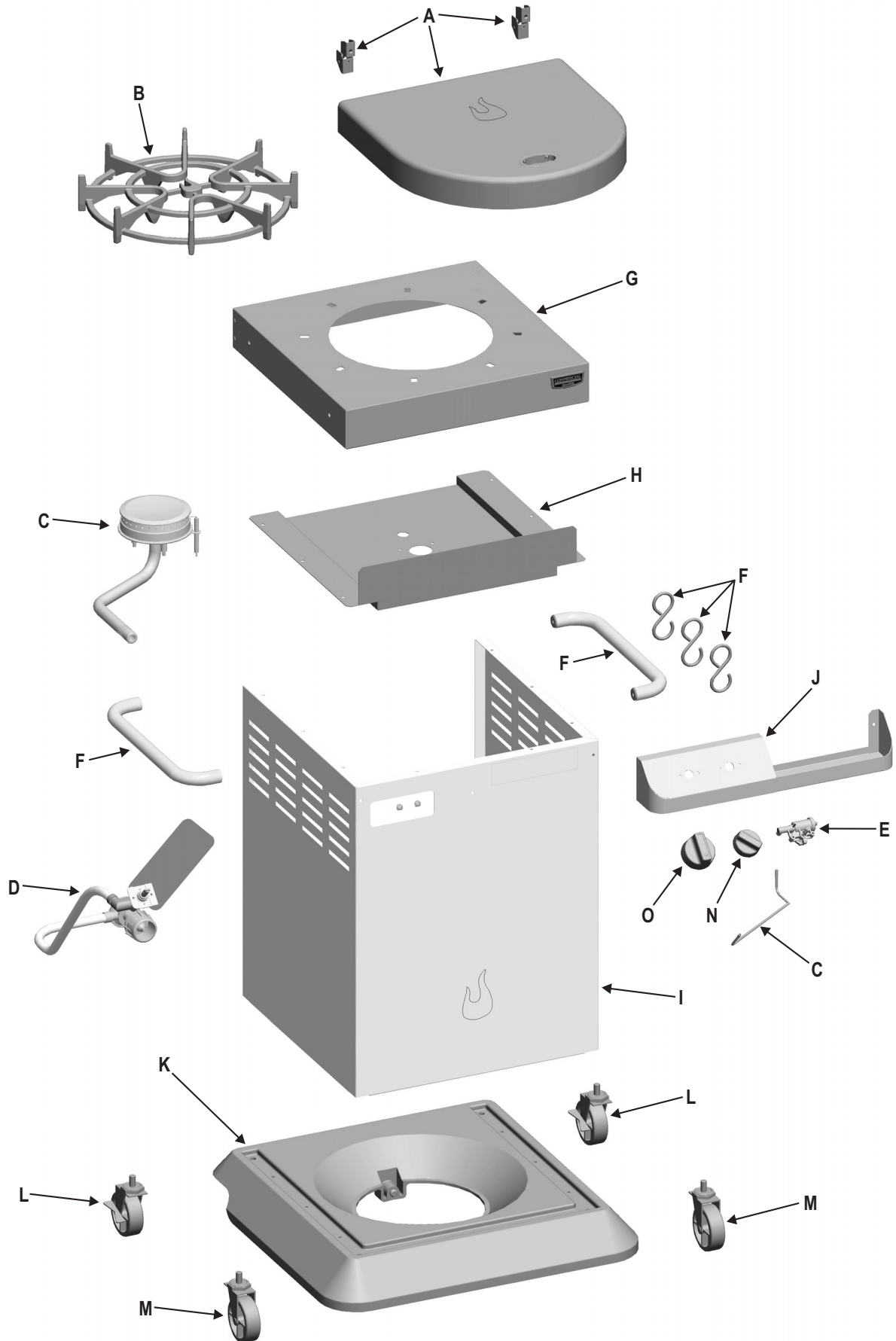
FREE OF CHARGE.

Call Our Help Line

1-800-232-3398

Char-Broil
 KEEPERS OF THE FLAME

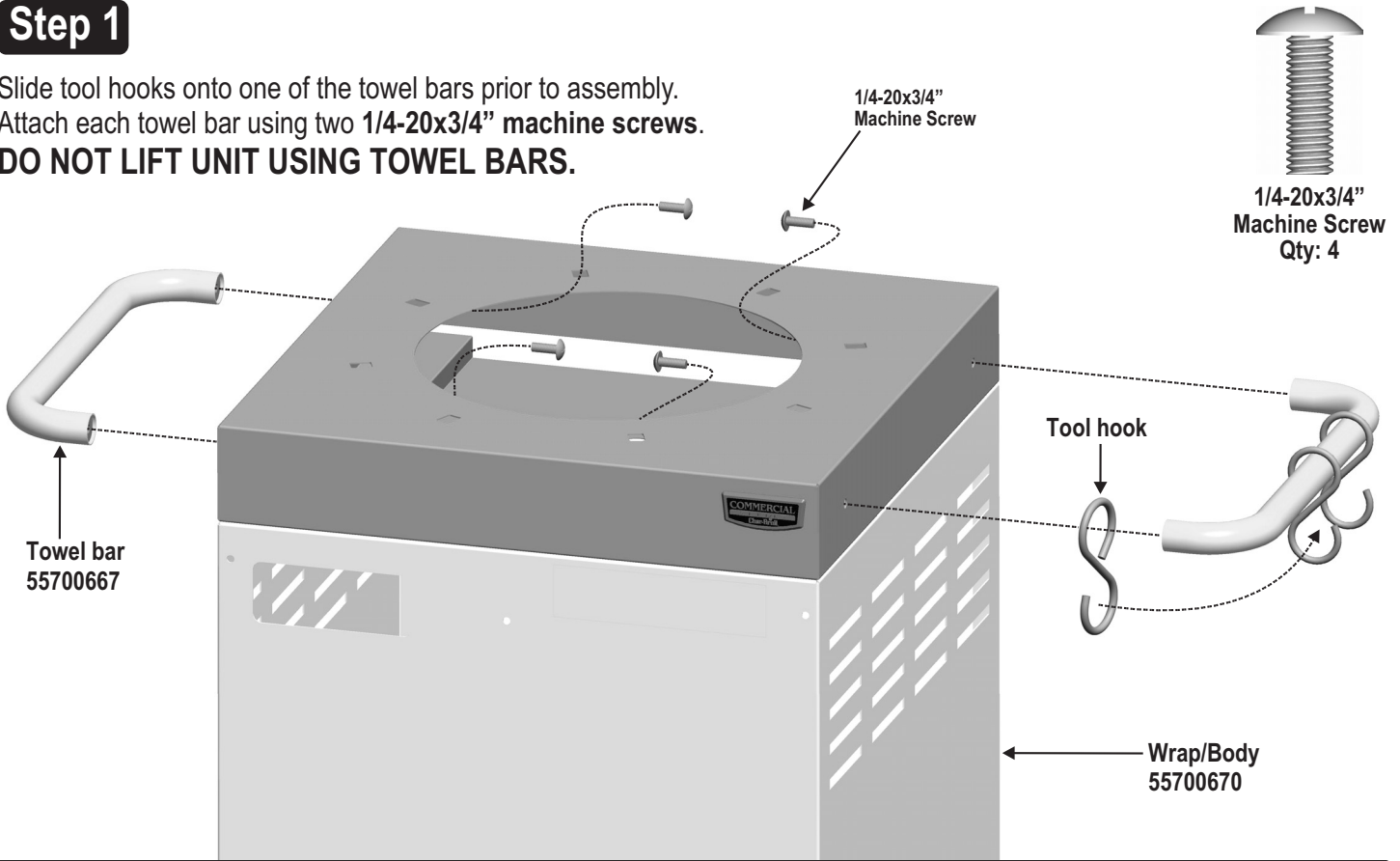
Parts Diagram



Assembly

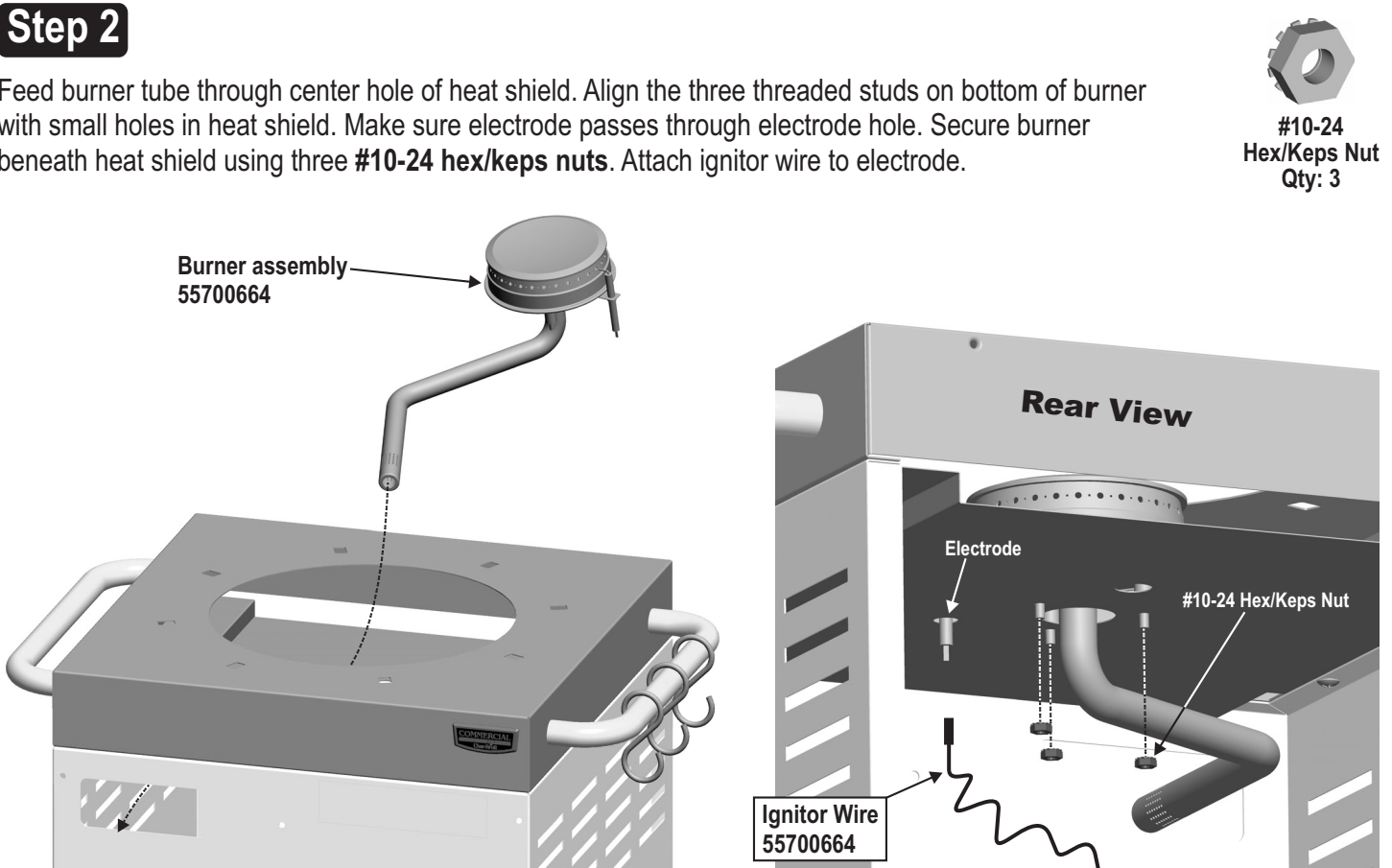
Step 1

Slide tool hooks onto one of the towel bars prior to assembly. Attach each towel bar using two 1/4-20x3/4" machine screws. **DO NOT LIFT UNIT USING TOWEL BARS.**



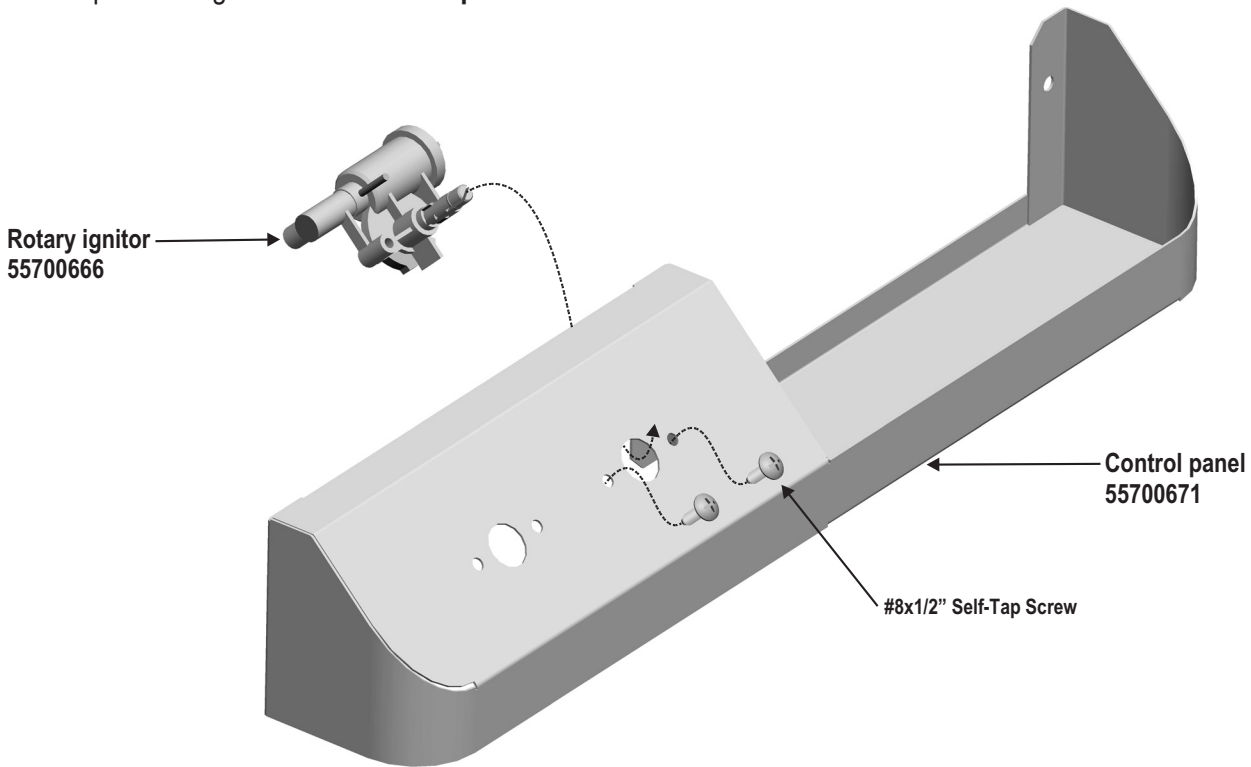
Step 2

Feed burner tube through center hole of heat shield. Align the three threaded studs on bottom of burner with small holes in heat shield. Make sure electrode passes through electrode hole. Secure burner beneath heat shield using three #10-24 hex/keps nuts. Attach ignitor wire to electrode.



Step 3

Position rotary ignitor as shown below. Attach ignitor behind control panel using two #8x1/2" self-tap screws.

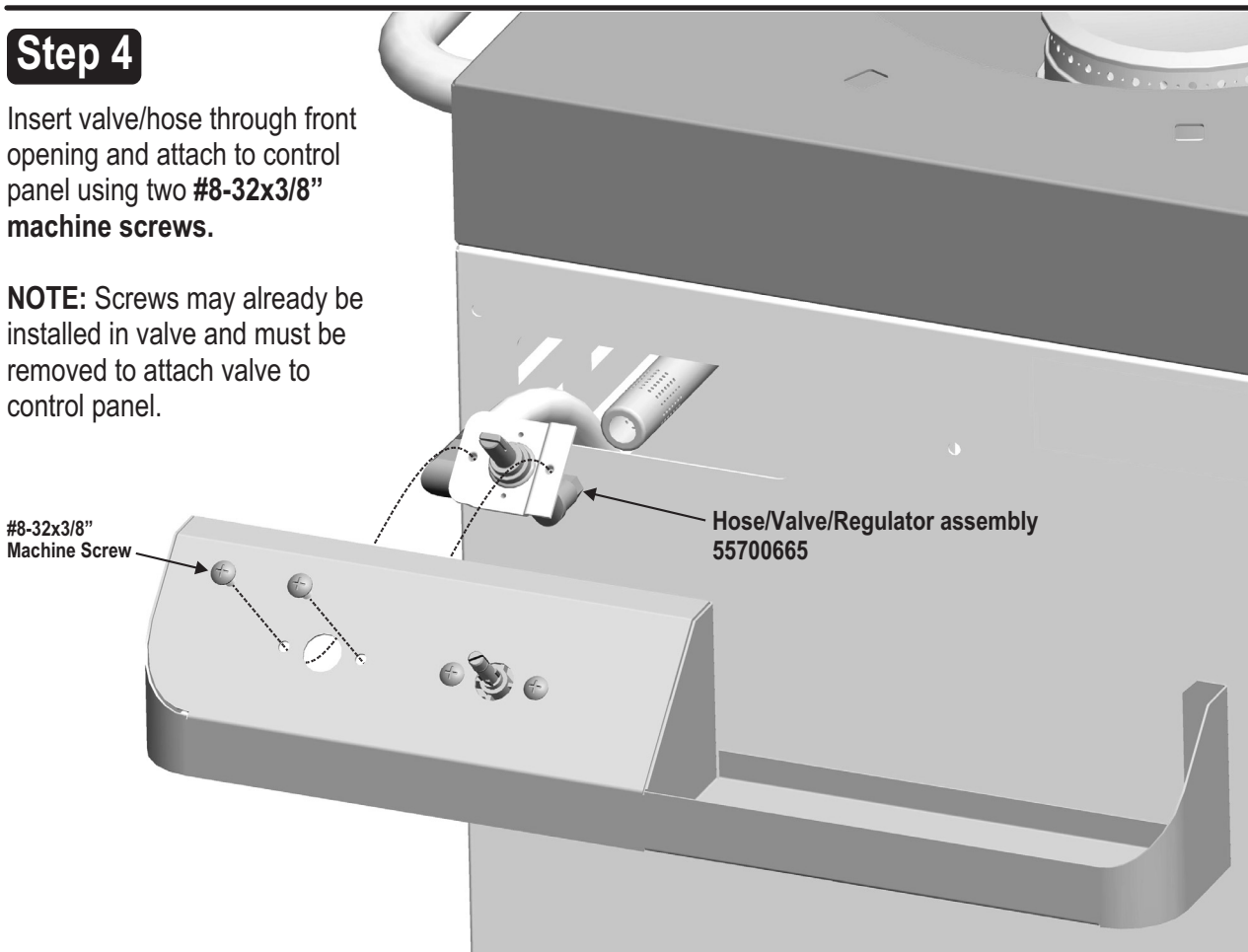


#8x1/2"
Self-Tap Screw
Qty: 2

Step 4

Insert valve/hose through front opening and attach to control panel using two #8-32x3/8" machine screws.

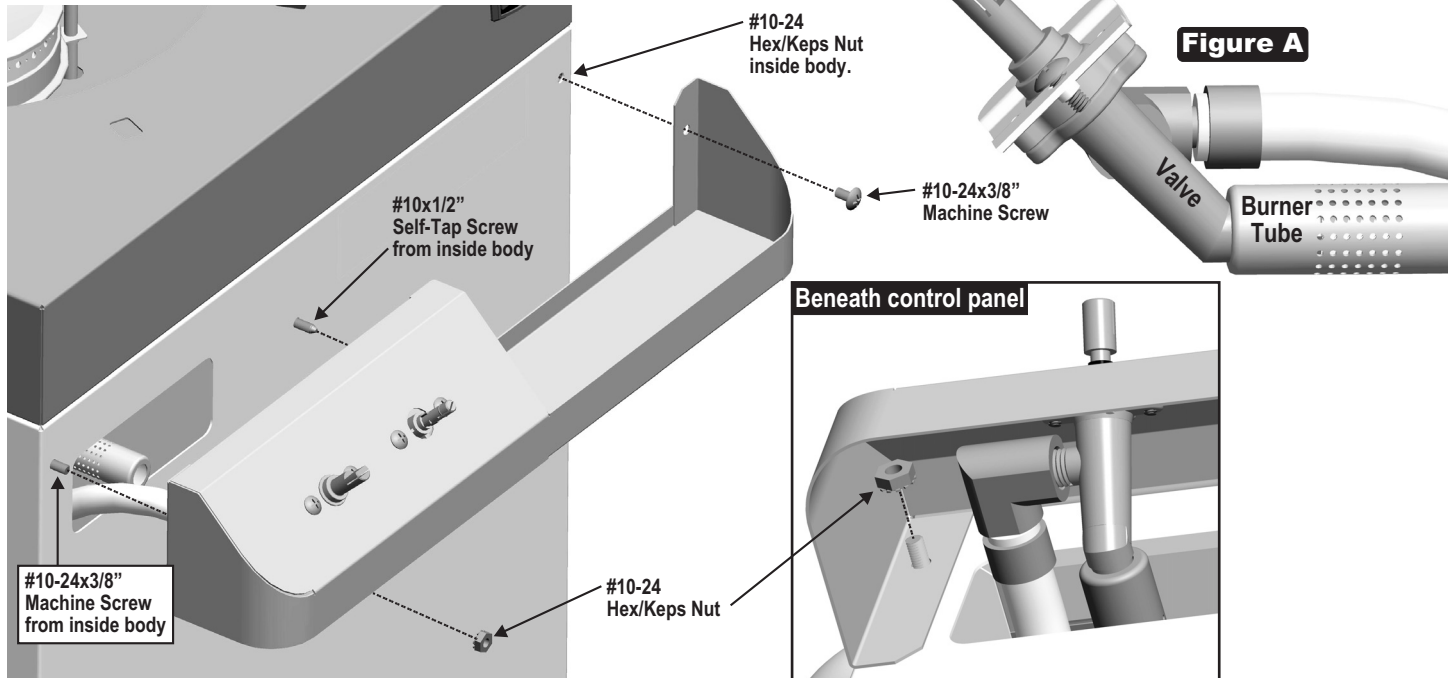
NOTE: Screws may already be installed in valve and must be removed to attach valve to control panel.



#8-32x3/8"
Machine Screw
Qty: 2

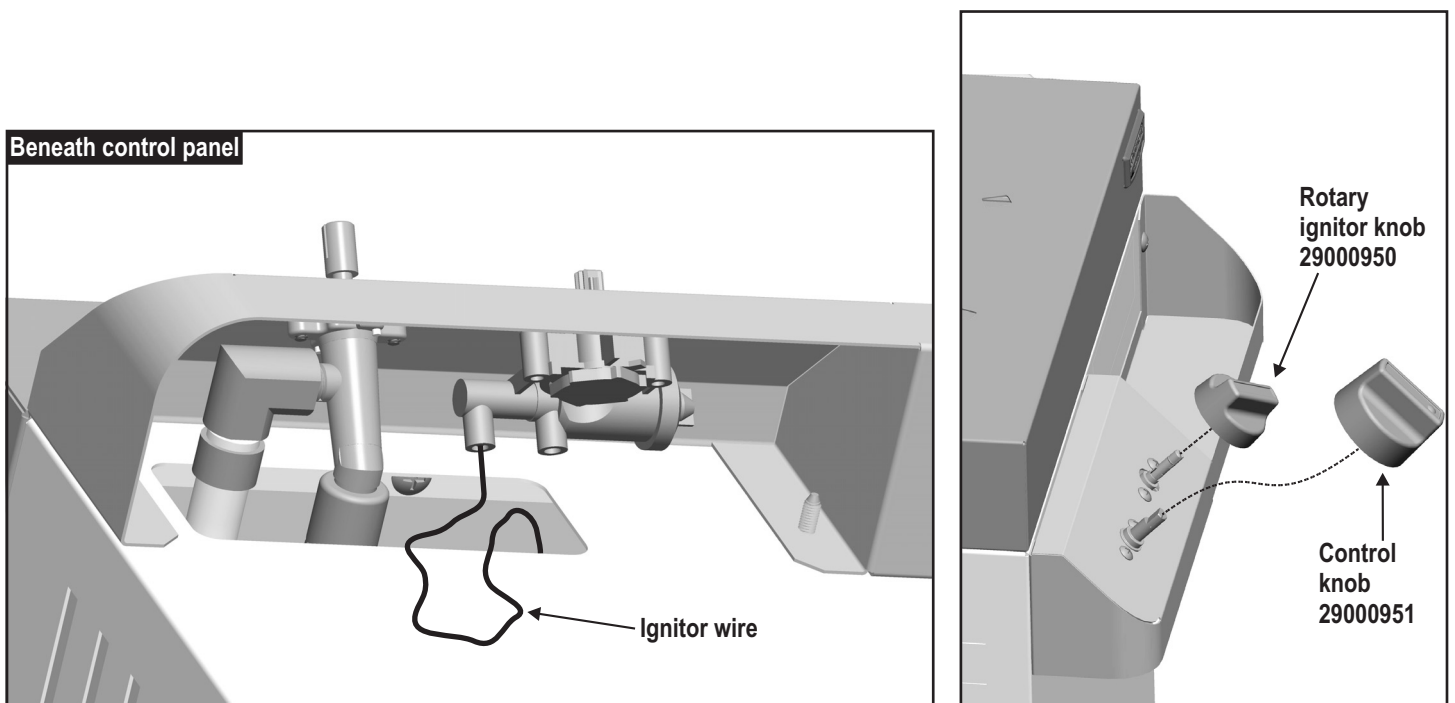
Step 5

Align valve with burner tube. See **Figure A** for proper valve-to-burner engagement. Secure control panel to body at each end using two **#10-24x3/8" machine screws** and two **#10-24 hex/keps nuts**. Inside body, insert one **#10x1/2" self-tap screw** through body into panel. *It is helpful to have someone hold panel in position while attaching hardware.*



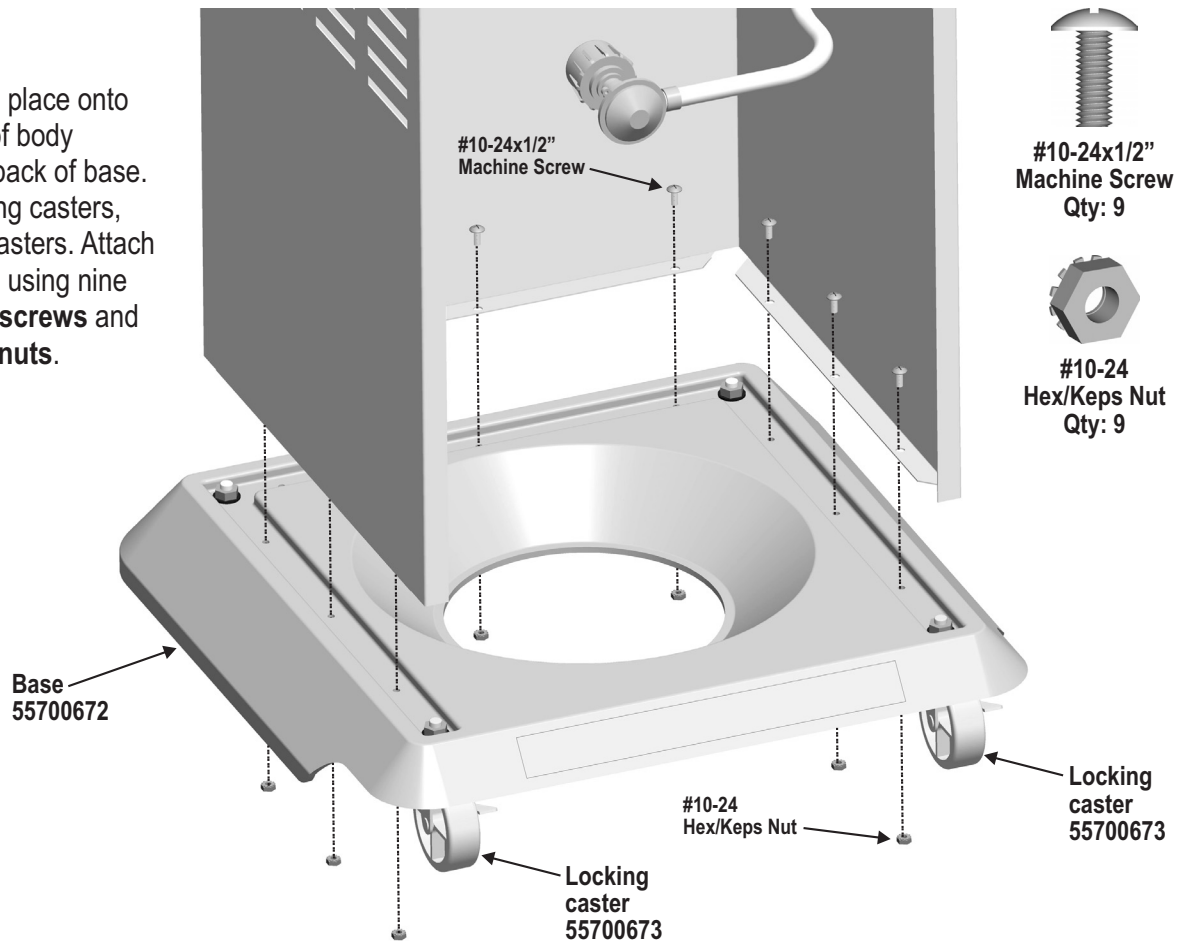
Step 6

Feed ignitor wire from electrode through opening beneath control panel and attach to ignitor. Press rotary ignitor knob (smaller knob) onto ignitor stem and control knob onto valve stem.



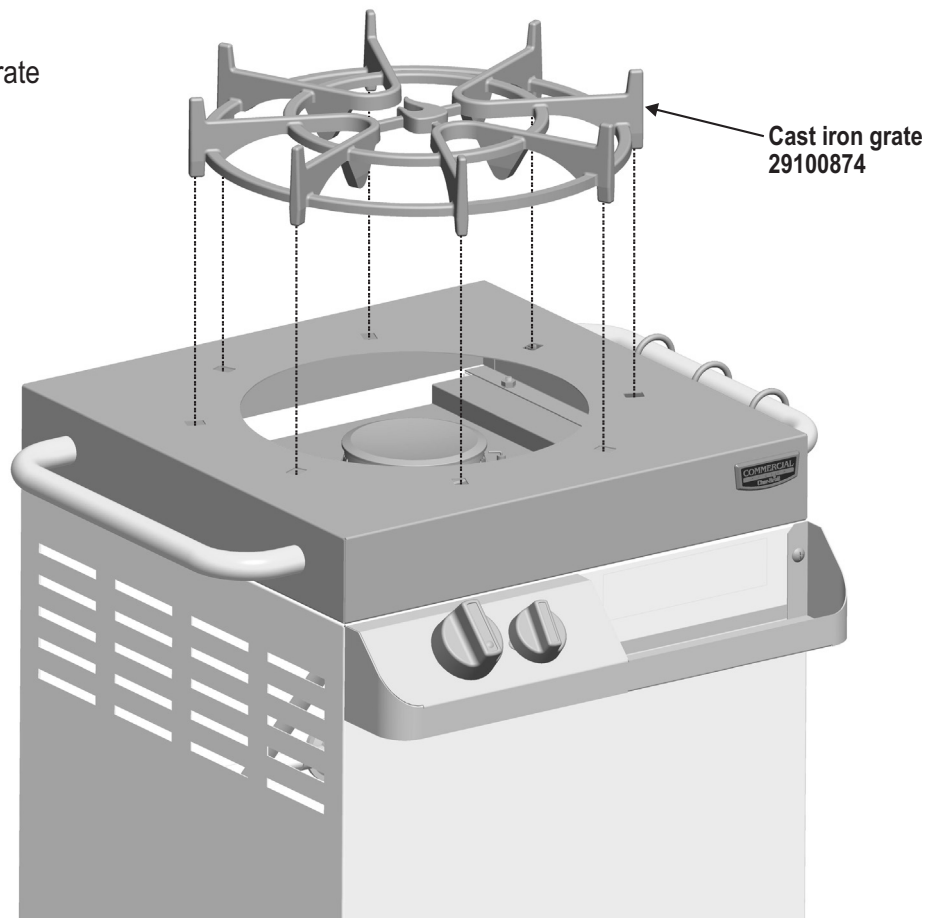
Step 7

Lift body assembly and place onto base. Back/open-end of body assembly should face back of base. Back of base has locking casters, front has non-locking casters. Attach body assembly to base using nine #10-24x1/2" machine screws and nine #10-24 hex/keps nuts.



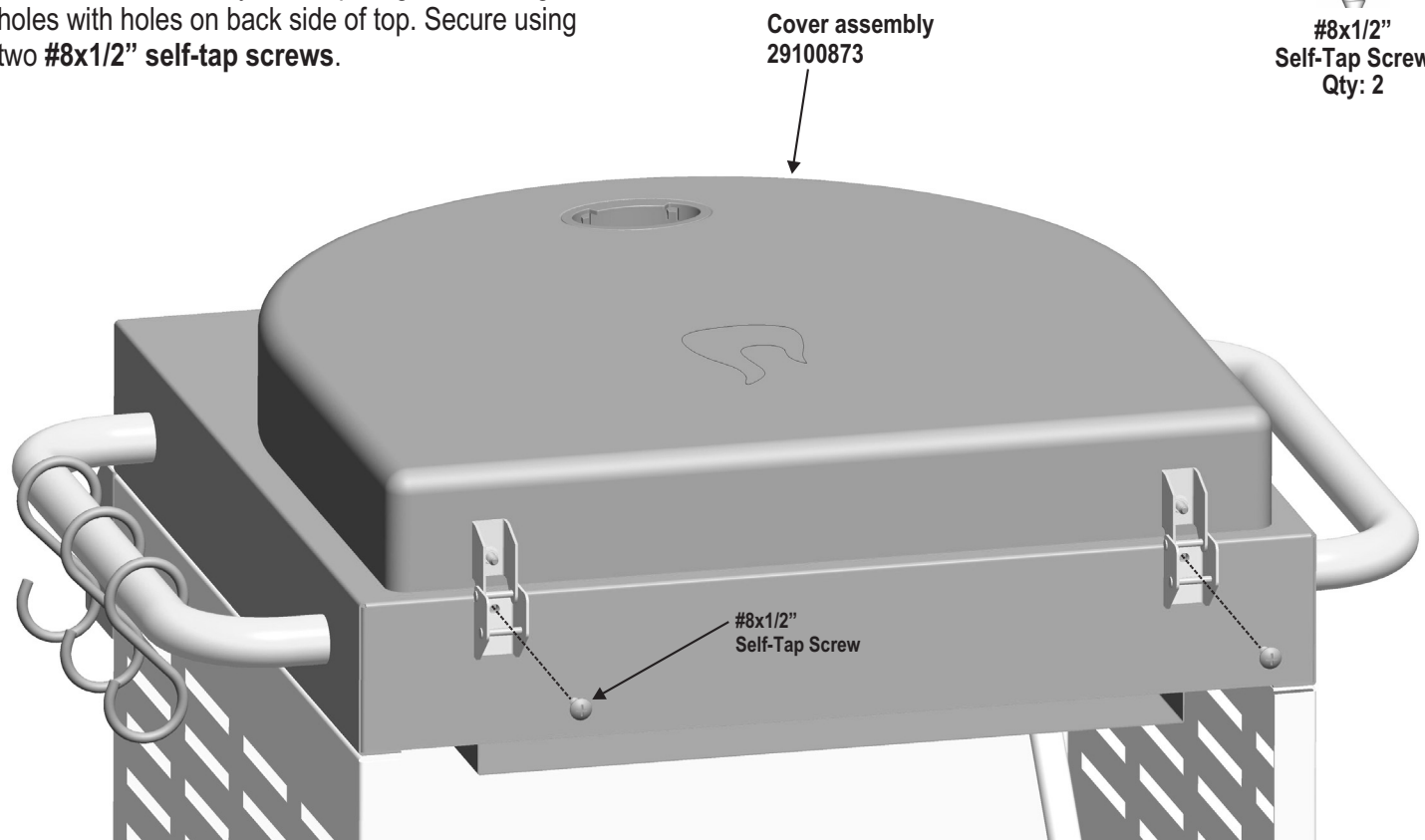
Step 8

Place cast iron grate onto top. Align grate legs with slots in top.



Step 9

Place cover assembly onto top. Align lower hinge holes with holes on back side of top. Secure using two #8x1/2" self-tap screws.



Step 10

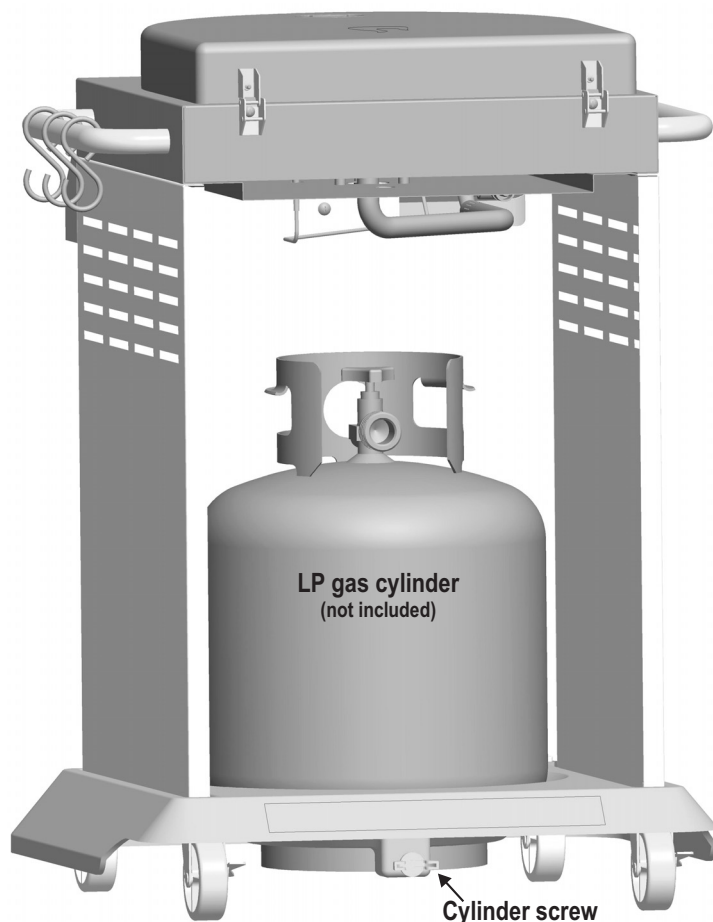
LP GAS CYLINDER IS SOLD SEPARATELY. Fill and leak check the cylinder before attaching to Outdoor Stove Top and regulator (see Use & Care section). Once cylinder has been filled and leak checked, place cylinder into cylinder hole in base. **Make sure cylinder valve is facing to the rear.** Secure cylinder with cylinder screw under base.

Read "*Connecting Regulator to the LP Cylinder*" in the Use and Care section of this manual.

See Use & Care section of this manual to perform the "Burner Flame Check" and for important safety instructions before using.

Always keep LP cylinders in upright position during use, transit or storage.

	CAUTION	
<p>Cylinder valve must face to rear of cart once cylinder is attached. Failure to install cylinder correctly may allow gas hose to be damaged in operation, resulting in the risk of fire.</p>		



Please register your product online at:

WWW.GRILLREGISTRATION.COM

(If you register online, you do not need to send in this registration card.)

PLEASE FILL OUT THIS CARD AND RETURN IT *WITHIN 10 DAYS OF PURCHASE. FAILURE TO RETURN MAY AFFECT YOUR WARRANTY COVERAGE.*
LLENE ESTA TARJETA Y DEVUÉLVALA DENTRO DE LOS 10 DÍAS DE LA COMPRA. *SI NO LA DEVUELVE, PUEDE VERSE AFECTADA SU COBERTURA DE GARANTÍA.*
VEUILLEZ COMPLÉTER CETTE CARTE ET LA RETOURNER DANS LES 10 JOURS SUIVANT L'ACHAT.
LA COUVERTURE DE VOTRE GARANTIE POURRAIT EN ÊTRE AFFECTÉE SI VOUS NE LE FAITES PAS.

1 First Name/Nombre/Prénom _____ Initial/Inicial/Initiale Last Name/APELLIDO/Nom de famille _____
Address (number and street)/Dirección (número y calle)/Adresse (numéro et rue) _____ Apt Number/Nº de apart./Nº d'appt. _____
City/Ciudad/Ville _____ State/Estado/Province _____ Zip Code/Código zip/Code postal _____

2 E-mail Address/Dirección de correo electrónico/Adresse électronique _____
If you voluntarily provide us with your email address, you give us permission to use your email address to send you offers that may interest you.
Si nos informa voluntariamente su dirección de correo electrónico, nos da permiso para usarlo a fin de enviarle ofertas que pueden interesarle.
Si vous choisissez de nous fournir votre adresse électronique, vous nous donnez la permission de l'utiliser pour vous faire part d'offres spéciales susceptibles de vous intéresser.

(Example: your name@your host.com) (Ejemplo: su nombre@su host.com) (Exemple : votre nom@votre hôte.com)

3 Phone Number/Número telefónico/Numéro de téléphone _____

6 Date of Purchase/Fecha de compra/Date de l'achat _____

4 **IMPORTANT! ¡IMPORTANTE! IMPORTANT!**
Write Serial Number and Model Number in spaces below.
Escriba en los espacios de abajo el número de serie y el número de modelo.
Inscrivez le numéro de série et le numéro de modèle dans les espaces ci-dessous.

7 Store Name/Nombre de la tienda/Nom du magasin _____

8 Purchase Price/Precio de compra/Prix d'achat
\$ _____ .00

5 Your Gender/Su sexo/Sexe: 1. Male/Masculino/Masculin 2. Female/Femenino/Féminin

9 Which product are you registering?

- ¿Qué producto está registrando?
Quel produit enregistrez-vous?
- 1. Gas Grill/Parrilla de gas/
Gril au gaz
 - 2. Electric Grill/Parrilla eléctrica/
Gril électrique
 - 3. Smoker/Ahumadora/Fumoir
 - 4. Charcoal Grill/Parrilla de carbón/
Barbecue au charbon
 - 5. Charcoal Smoker/Ahumadora de
carbón/Fumoir au charbon
 - 6. Outdoor Fireplace/Hogar para
exteriores/Foyer extérieur
 - 7. Cooker/Fryer / Cocina/friteuse /
Cuisieur/Friteuse
 - 8. Other/Otro/Autre

10 Which of these sources influenced your decision to buy this product? (check all that apply)

- ¿Cuál de estas fuentes influyó a su decisión de comprar este producto? (Marque todas las que correspondan)
Parmi les éléments ci-dessous, qu'est-ce qui a influencé votre décision d'acheter ce produit?
(Cochez tous les éléments s'appliquant)
- 1. Magazine/newspaper advertisement / Propaganda en revista/periódico /
Publicité dans un magazine ou dans un journal
 - 2. Television commercial/Comercial televisivo/Publicité à la télévision
 - 3. Grill was assembled/Parrilla ensamblada/Le gril était déjà assemblé
 - 4. In-store display/Exhibidor en la tienda/Promotion sur le lieu de vente
 - 5. Store circular/Circular de la tienda/Prospectus de magasin
 - 6. Brand name/Marca/Marque
 - 7. Product style/Estilo del producto/Style du produit
 - 8. Price/value / Precio/valor / Rapport prix/valeur
 - 9. Product quality/Calidad del producto/Qualité du produit
 - 10. Friend/Relative recommendation / Recomendación de amigo o pariente /
Recommandation d'un(e) ami(e)/parent(e)
 - 11. Salesperson recommendation/Recomendación del vendedor/
Recommandation d'un(e) préposé(e) à la vente
 - 12. Grill size/Tamaño de la parrilla/Taille du gril
 - 13. Product warranty/Garantía del producto/Garantie du produit
 - 14. Store demonstration/Demostración en la tienda/Démonstration en magasin
 - 15. Point of purchase/Punto de compra/Lieu de vente
 - 16. Other/Otras/Autre: _____

Mail to:
Product Registration Dept.
PO BOX 1240
Columbus, Georgia 31902-1240

Thank you for completing this questionnaire. Your answers will help us and other companies reach you with offers that may interest you. If you prefer not to receive these offers, please check here .

Gracias por completar este cuestionario. Sus respuestas nos ayudarán, a nosotros y a otras compañías, a llegar a ustedes con ofertas que puedan resultarles de interés. Si prefiere no recibir estas ofertas, por favor marque aquí .

Merci d'avoir bien voulu remplir ce questionnaire. Vos réponses nous aideront et aideront d'autres compagnies à vous communiquer des offres spéciales susceptibles de vous intéresser. Si vous préférez ne pas recevoir d'informations concernant ces offres spéciales, veuillez cocher ici .

